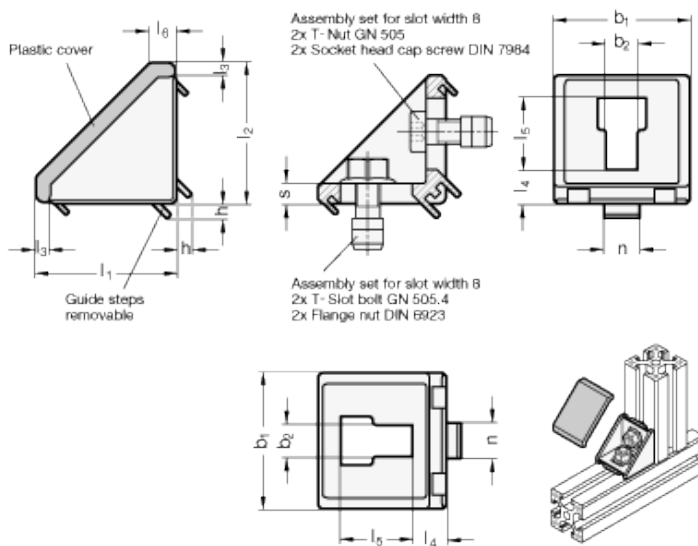


# GN 960

Angle pieces for profile systems



## technical informations

### Specification

- Type A: without assembly set, with cover
- Type B: with assembly set, with cover
- Type C: with assembly set, without cover

Aluminium

Die casting

- matt shot-blasted MT

- plastic coated

black, RAL 9005, textured finish SW

silver, RAL 9006, textured finish SR

T-Slot bolt GN 505.4

with Hexagon flange nut DIN 6923

Steel

zinc plated, blue passivated

T-Nut GN 505

with socket head cap screw DIN 7984

Steel

zinc plated, blue passivated

Cover  
Plastic (Polyamide PA)  
black, matt

### Information

To fix the angle pieces GN 960 in place, insert the assembly sets into the profile slot through the opening. When tightened, the nut or screw will be cross-positioned and so anchored in the slot.

For crossing profiles or when using the angle piece with elements without slot, the superfluous guide steps can be simply broken out.

After assembly, the cover caps are snapped into place via four lugs. They lend the angle piece an attractive appearance and protect against dirt.

Even after repeated use, the cover caps will remain firmly in place inside the angle pieces thanks to the elastic snap-type lugs. If required, these are also available individually under standard GN 963.

Standard Elements	Main dimensions													Weight
Description	b <sub>1</sub> Nominal size	Actual size	n	l <sub>1</sub>	l <sub>2</sub>	b <sub>2</sub>	h	l <sub>3</sub>	l <sub>4</sub>	l <sub>5</sub>	l <sub>6</sub>	s	g	
GN 960-30-8-30-30-A-MT	30	28	8	30	30	6.3	2.1	-	9.7	10.4	-	5.9	23	
GN 960-30-8-30-30-A-SW	30	28	8	30	30	6.3	2.1	-	9.7	10.4	-	5.9	23	
GN 960-30-8-30-30-A-SR	30	28	8	30	30	6.3	2.1	-	9.7	10.4	-	5.9	23	
GN 960-40-10-40-40-A-MT	40	38	10	40	40	8.5	4.1	-	9.5	20	-	5.6	37	
GN 960-40-10-40-40-A-SW	40	38	10	40	40	8.5	4.1	-	9.5	20	-	5.6	37	
GN 960-40-10-40-40-A-SR	40	38	10	40	40	8.5	4.1	-	9.5	20	-	5.6	37	
GN 960-45-10-45-45-A-MT	45	43	10	45	45	8.5	4.1	-	15.7	18.7	-	9.7	49	
GN 960-45-10-45-45-A-SW	45	43	10	45	45	8.5	4.1	-	15.7	18.7	-	9.7	49	
GN 960-45-10-45-45-A-SR	45	43	10	45	45	8.5	4.1	-	15.7	18.7	-	9.7	49	
GN 960-30-8-30-30-B-MT	30	28	8	30	30	6.3	2.1	3	9.7	10.4	6.8	5.9	23	
GN 960-30-8-30-30-B-SW	30	28	8	30	30	6.3	2.1	3	9.7	10.4	6.8	5.9	23	
GN 960-30-8-30-30-B-SR	30	28	8	30	30	6.3	2.1	3	9.7	10.4	6.8	5.9	23	
GN 960-40-10-40-40-B-MT	40	38	10	40	40	8.5	4.1	4	9.5	20	7.2	5.6	37	
GN 960-40-10-40-40-B-SW	40	38	10	40	40	8.5	4.1	4	9.5	20	7.2	5.6	37	
GN 960-40-10-40-40-B-SR	40	38	10	40	40	8.5	4.1	4	9.5	20	7.2	5.6	37	
GN 960-45-10-45-45-B-MT	45	43	10	45	45	8.5	4.1	4	15.7	18.7	11.5	9.7	49	
GN 960-45-10-45-45-B-SW	45	43	10	45	45	8.5	4.1	4	15.7	18.7	11.5	9.7	49	
GN 960-45-10-45-45-B-SR	45	43	10	45	45	8.5	4.1	3	15.7	18.7	6.8	9.7	49	
GN 960-30-8-30-30-C-MT	30	28	8	30	30	6.3	2.1	-	9.7	10.4	-	5.9	23	
GN 960-30-8-30-30-C-SW	30	28	8	30	30	6.3	2.1	-	9.7	10.4	-	5.9	23	
GN 960-30-8-30-30-C-SR	30	28	8	30	30	6.3	2.1	-	9.7	10.4	-	5.9	23	
GN 960-40-10-40-40-C-MT	40	38	10	40	40	8.5	4.1	-	9.5	20	-	5.6	37	
GN 960-40-10-40-40-C-SW	40	38	10	40	40	8.5	4.1	-	9.5	20	-	5.6	37	
GN 960-40-10-40-40-C-SR	40	38	10	40	40	8.5	4.1	-	9.5	20	-	5.6	37	
GN 960-45-10-45-45-C-MT	45	43	10	45	45	8.5	4.1	-	15.7	18.7	-	9.7	49	
GN 960-45-10-45-45-C-SW	45	43	10	45	45	8.5	4.1	-	15.7	18.7	-	9.7	49	
GN 960-45-10-45-45-C-SR	45	43	10	45	45	8.5	4.1	-	15.7	18.7	-	9.7	49	

